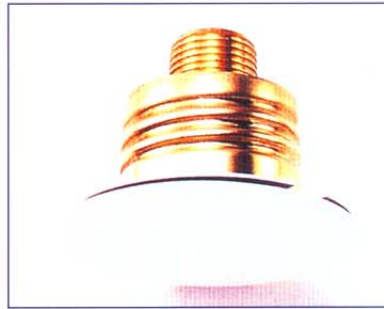
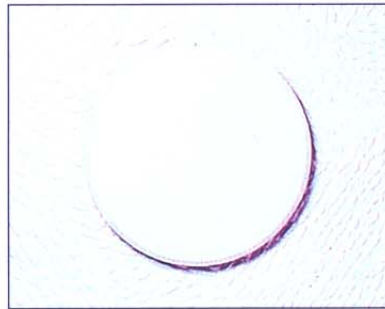


AUTOMATIC
CONCEALED
SPRINKLER



CONCEALED SPRINKLER STANDARD AND QUICK RESPONSE

PROTECTOR SPRINKLER
An  9001 certified company

Model A

**PS003/PS006 (Glass Bulb Type)
Standard Adjustable Concealed
Standard and Quick Response. Light and Ordinary Hazard**

PRODUCT DESCRIPTION

Concealed

Concealed Sprinkler Identification Number (SIN) PS003 (standard) / PS006 (Quick), All Protector Sprinklers are manufactured with the time - proven Belleville seal used exclusively by all other major manufacturers to ensure long life and safe operation.

The concealed sprinkler head is specifically designed to deliver excellent aesthetic appeal to the discerning designer. The smaller, low profile cover plate ensures that the product is less obtrusive than other designs and the plate is available in a wide range of designer colors.

One-piece design , with up to 1/2 inch of adjustment allows installation and testing of the system prior to installing the cover plate.

Available in quick response and standard response for all applications.

Sprinkler Operation

The sprinkler operating device is a state of the art, heat responsive frangible glass bulb supplied from a world leader in this innovative technology. Once the operating temperature is reached the bulb shatters, opening up the waterway and water flows over the deflector for smooth distribution over the design area of the sprinkler head.

Coverage

Standard coverage is dependent on individual national approvals .

If in doubt contact the authority having jurisdiction.

NFPA - Light Hazard 225 Square Feet (20.9 Sq.M)

Ordinary Hazard 130 Square Feet (12.1 Sq.M)

TECHNICAL SPECIFICATION

SIN : PS003 , PS006

Style:Adjustable concealed, light/ordinary hazard

Norminal Orifice Size:1/2" (12.5mm)

K-Factor:5.6 Imp. (80 S.I.)

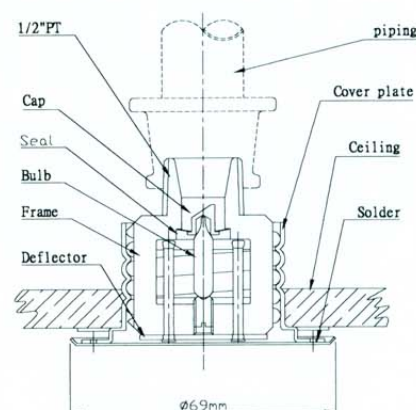
Norminal Thread Size:1/2" PT (15mm)

Max. Working Pressure:175 PSI(1200 kPa)

Factory Hydrostatic Test:100% @500 PSI (3450 kPa)

Min. Operating Pressure:7 PSI (48 kPa)

Temperature Rating:68°C/155°F 、 93°C/200°F



MATERIAL SPECIFICATIONS

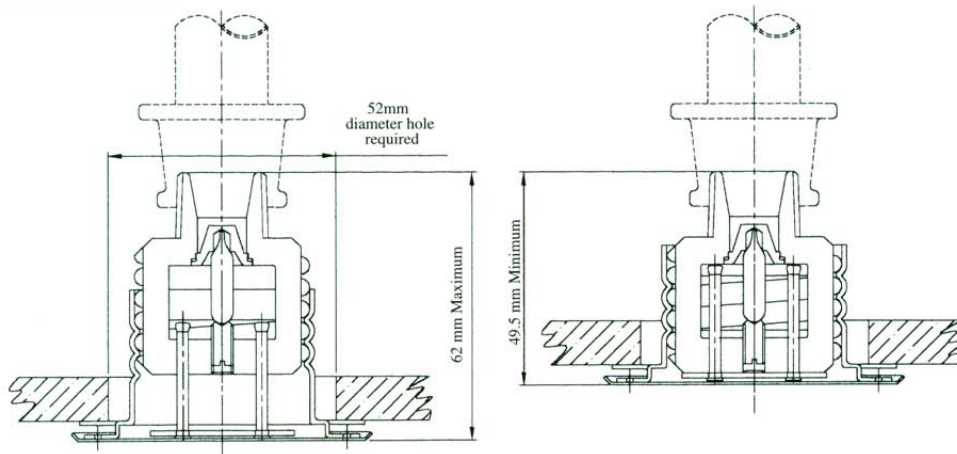
- Deflector: **ASTM C22000 B36**
- Cover Plate: **Fusible solder**
- Bulb: **Glass with glycerin solution.**
- Bulb Nominal Diameter: Standard: 5.0mm
 Quick: 3.0mm
- Load Screw: **ASTM C36000 B16**
- Cap: **ASTM C36000 B16**
- Seal: **BELLEVILLE WASHER-TEFLON COATED**
- Frame: **ASTM C37700 B124**

ACCESSORIES

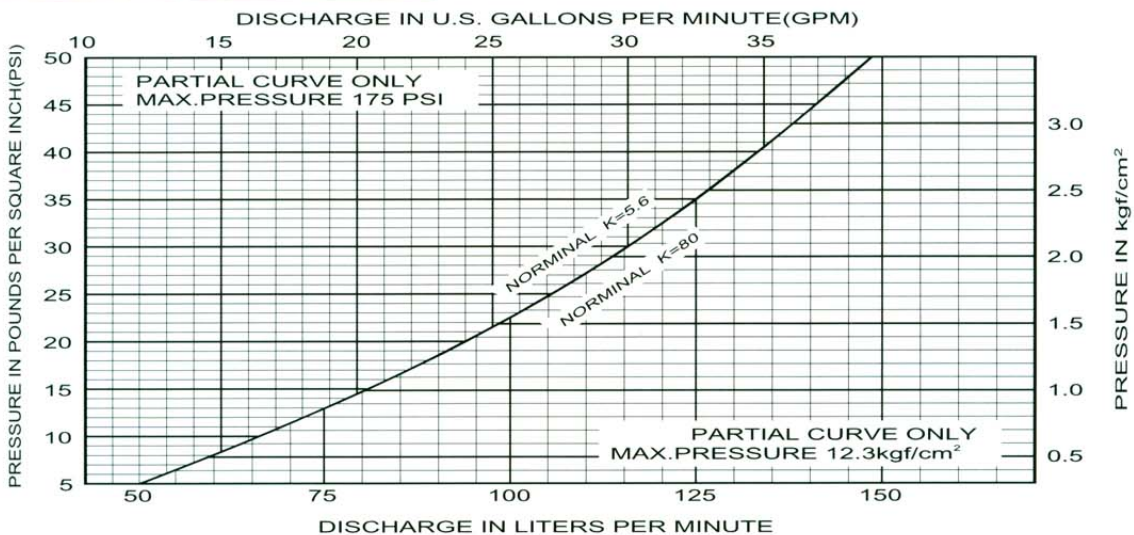
- Installation Wrench:
 - Standard Wrench**
 - Concealed Wrench**
- Sprinkler Finishes:
 - Plain brass (only)**
- Cover Finishes:
 - Chrome plated**
 - Bright brass plated**
 - White painted**
 - Custom painted**

**AUTOMATIC
CONCEALED
SPRINKLER**

DIMENSIONS



DISCHARGE CURVE





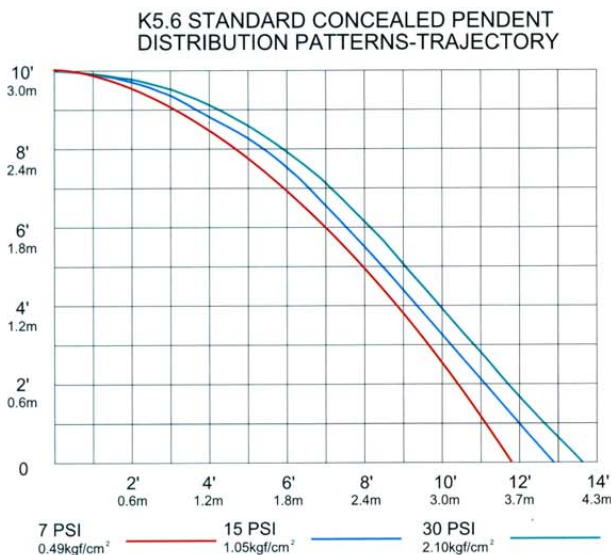
APPROVALS/LISTINGS

Nominal Size Inches /mm		K-Factor Imperial S.I.	Response	APPROVALS		
THREAD	ORIFICE			UL	ULC	CNS
1/2/15	1/2/13	5.6/80	Standard			
1/2/15	1/2/13	5.6/80	Quick	YES	YES	YES

RATINGS

SPRINKLER TEMPERATURE CLASSIFICATION	NORMINAL SPRINKLER TEMPERATURE RATING	N.F.P.A. MAXIMUM AMBIENT (CEILING) TEMP. ALLOWED	GLASS BULB COLOR	COVER
				TEMPERATURE
Ordinary	155°F/68°C	100°F/38°C	Red	135°F/57°C
Intermediate	200°F/93°C	150°F/65°C	Green	165°F/74°C

DISTRIBUTION PATTERNS



AVAILABLE WRENCHES

PROPER USE STANDARD
/ CONCEALED WRENCH

**Always use Protector
Wrench - use of other wrenches
or devices could lead to damage
to the sprinkler and non-
operation in a fire condition**

**Use of other wrenches or
devices voids any and all
warranties whether
express or implied**