

PRODUCT DESCRIPTION

The Model A PS015/PS016/PS017/PS018 (Glass Bulb Type) Standard Orifice Standard Upright, Pendent and Recessed Pendent Standard and Quick Response. The Model A Pendent Sprinkler Identification Number (SIN).PS016(standard) PS018(quick) Recessed Pendent. The Model A Upright Sprinkler Identification Number (SIN) PS015(standard) PS017(quick). The design incorporates state-of-the-art, heat responsive, frangible glass bulb design (standard or quick response) for prompt, precise operation. The die cast frame is more streamlined and attractive than traditional sand cast frames. It is cast with a hex-shaped wrench boss to allow easy tightening from many angles, reducing assembly effort. This sprinkler is available in various temperature ratings (see chart on page 2) and finishes to meet many design requirements. The recessed pendent should be utilized with a Model A recessed escutcheon which provides up 3/4" of adjustments. All Protector Sprinklers are manufactured using the time proven Belleville seal used exclusively by all major manufactures to ensure long life and safe operation.

Sprinkler Operation

The operating mechanism is a frangible glass bulb which contains a heat responsive liquid. During a fire, the ambient temperature rises causing the liquid in the bulb to expand.

When the ambient temperature reaches the rated temperature of the sprinkler, the bulb shatters. As a result, the waterway is cleared of all sealing parts and water is discharged towards the deflector. The deflector is designed to distribute the water in a pattern that is most effective in controlling the fire.

Maximum Coverage

Standard spray coverage is up to: Light Hazard = 230 square feet(21.2 sq.m); Ordinary Hazard = 153 square feet(13.8 sq.m)per NFPA 13. see page 4 for distribution patterns.



PS015



PS016



PS017



PS018

TECHNICAL SPECIFICATION

SIN : Standard PS015、PS016 (bulb 5mm), Quick Response PS017、PS018 (bulb 3mm)

Style : Upright Sprinkler PS015、PS017, Pendent Sprinkler PS016、PS018

K-Factor : 8.0Imp.(115S.I)

Response Time Index(RTI) : Standard 50, Quick Response 30

Norminal Thread Size : 3/4"NPT(20mm)

Max. Working Pressure : 175PSI(1200kPa)

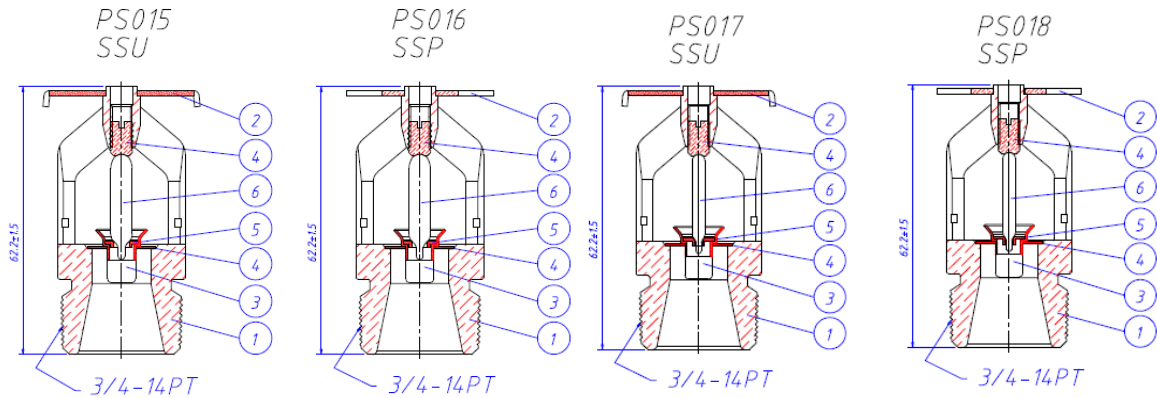
Factory Hydrostatic Test : 100% @500PSI(3450 kPa)

Min. Operation Pressure : 7 PSI(48 kPa)

RATINGS

SPRINKLER TEMPERATURE CLASSIFICATION	NORMINAL SPRINKLER TEMPERATURE RATING	N.F.P.A MAXIMUM AMBIENT (CEILING) TEMP.(ALLOWED)	GLASS BULB COLOR
Ordinary	155°F/68°C	100°F/38°C	Red
Intermediate	175°F/79°C	150°F/65°C	Yellow
Intermediate	200°F/93°C	150°F/65°C	Green

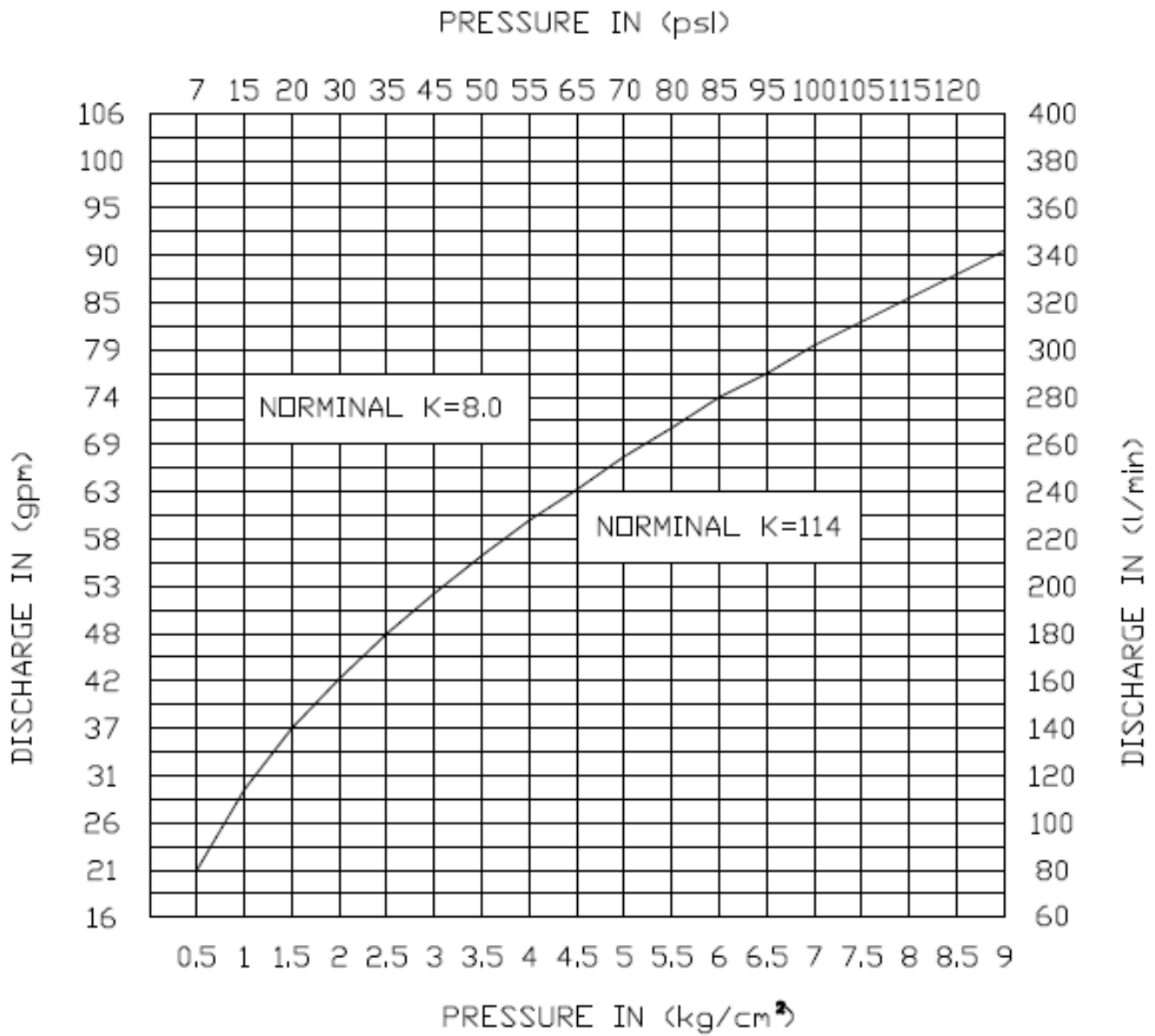
DIMENSIONS



玻璃球 BULB	7	NORBULB N5-68°C-20mm
K114 彈片 SEAL	6	BERY. NICKEL SPRING TEFLON TAPE
螺絲 LOAD SCREW	5	ASTM C36000(CNS C3604)
內銅柱固定片 SR CAP SEAT	4	ASTM S304.00(CNS 304)
內銅柱 CAP	3	ASTM C11000(CNS C1100)
SR 迴水板 SSP DEFLECTOR 68°C	2	ASTM C26800(CNS C2680)
K114 本體 FRAME	1	ASTM C36000(CNS C3604)

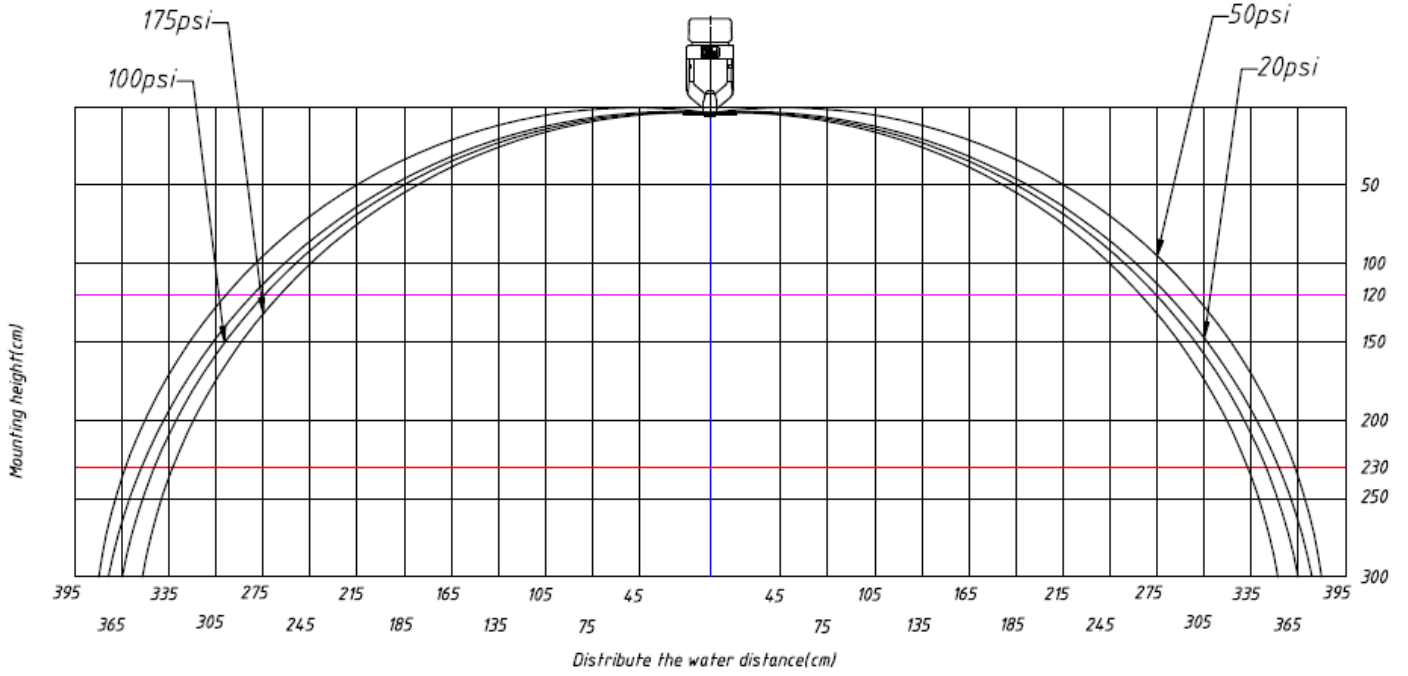
玻璃球 BULB	7	NORBULB N3-68°C-20mm
K114 彈片 SEAL	6	BERY. NICKEL SPRING TEFLON TAPE
螺絲 LOAD SCREW	5	ASTM C36000(CNS C3604)
內銅柱固定片 QR CAP SEAT	4	ASTM S304.00(CNS 304)
內銅柱 CAP	3	ASTM C11000(CNS C1100)
QR 迴水板 DEFLECTOR 68°C	2	ASTM C26800(CNS C2680)
K114 本體 FRAME	1	ASTM C36000(CNS C3604)

DISCHARGE CURVE

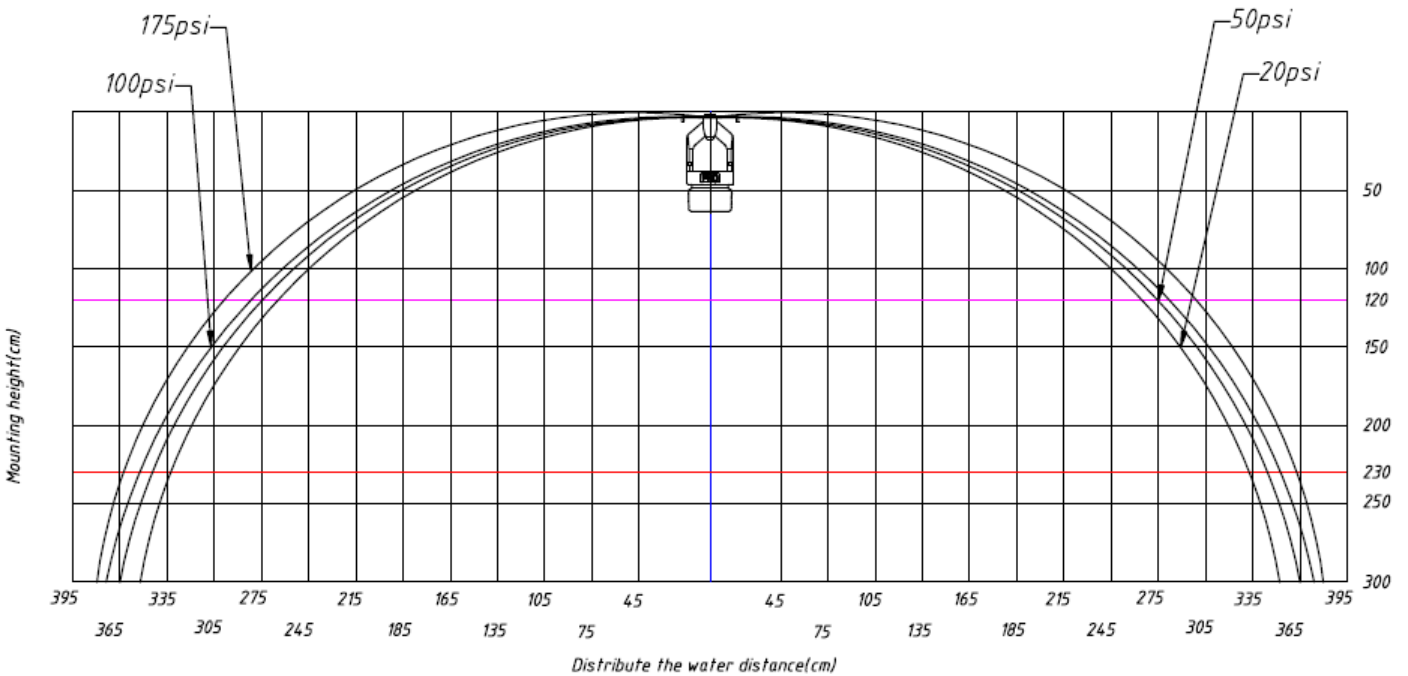


DISTRIBUTION PATTERNS

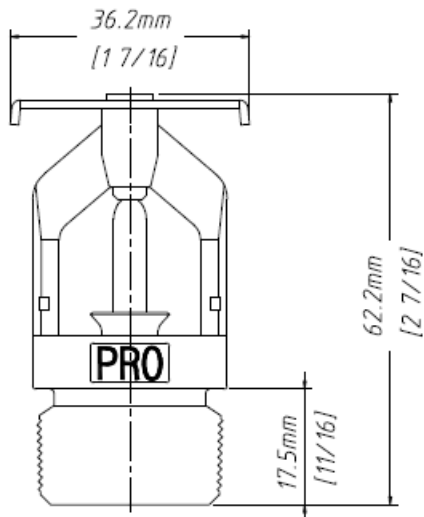
K8.0 PENDENT SPRINKLER DISTRIBUTION PATTERNS – TRAJECTORY



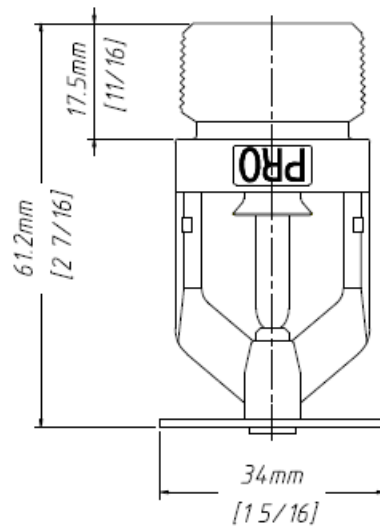
K8.0 UPRIGHT SPRINKLER DISTRIBUTION PATTERNS – TRAJECTORY



DIMENSIONS

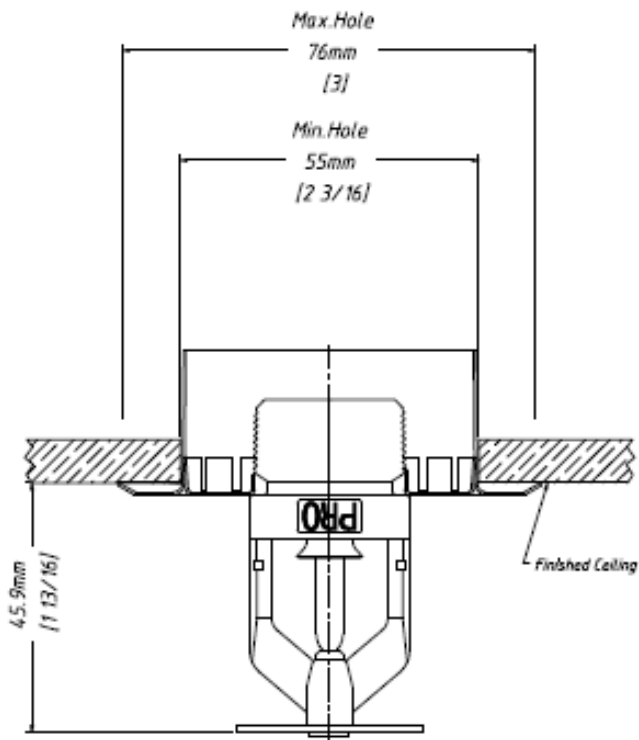


Upright Sprinkler

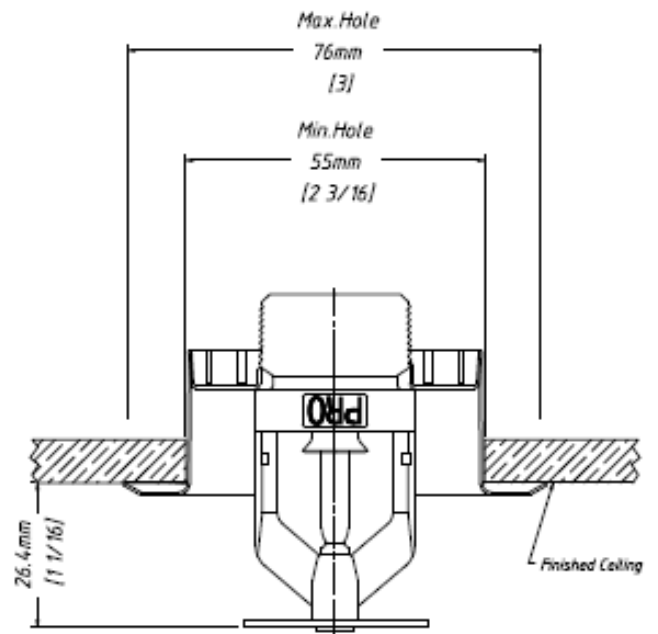


Pendent Sprinkler

Recessed Pendent Sprinkler



MAXIMUM EXTENSION



MAXIMUM RECESS

3/4" ADJUSTMENT